

# EVOLVE<sup>®</sup>

EN

## Xany 6 LTE

V3 - 18.6.24

### SPECIAL FEATURES

- Highlights
- Hollow design provides sense of space
- Performance
- Receives Full HD and digital TV signals, local VHF and UHF signals
- Detachable amplifier with power-on indicator is included to suit different reception needs
- Built-in 5G filter to avoid interference from mobile signals
- Newest EU RED (Radio Equipment Directive) 2014/53/EU compliant.

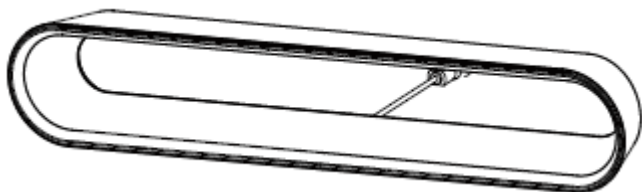
### Powering

- To be powered by USB
- Or by included AC/DC adaptor

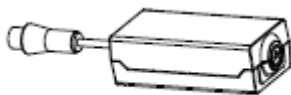
### TECHNICAL SPECIFICATIONS

- Frequency: VHF 174~230MHz, UHF 470~700MHz
- Impedance ( $\Omega$ ): 75
- Connector: IEC type (male)
- Adapter: AC 100-240V DC 5V/ 0.55A, 2.75W
- Cable Length: 1.5m + 0.86m

### Element list



antenna



external amplifier



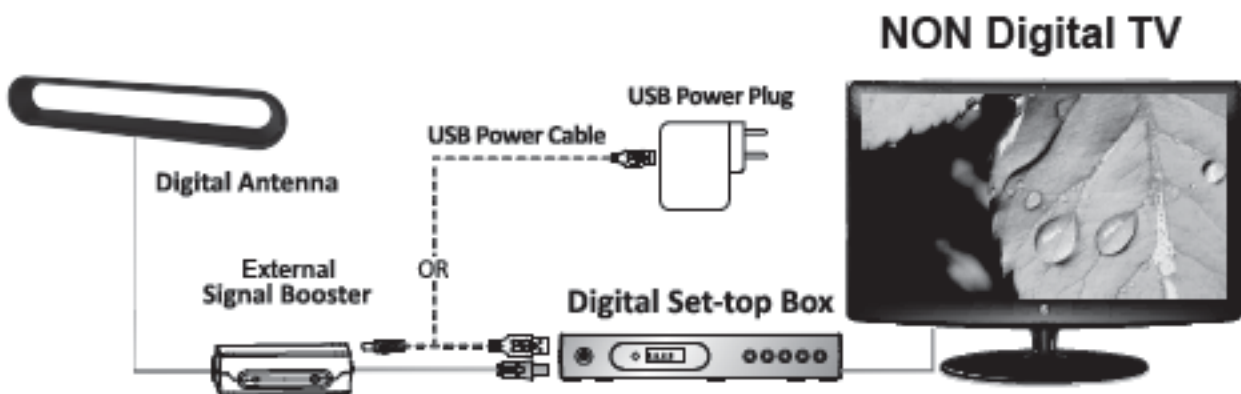
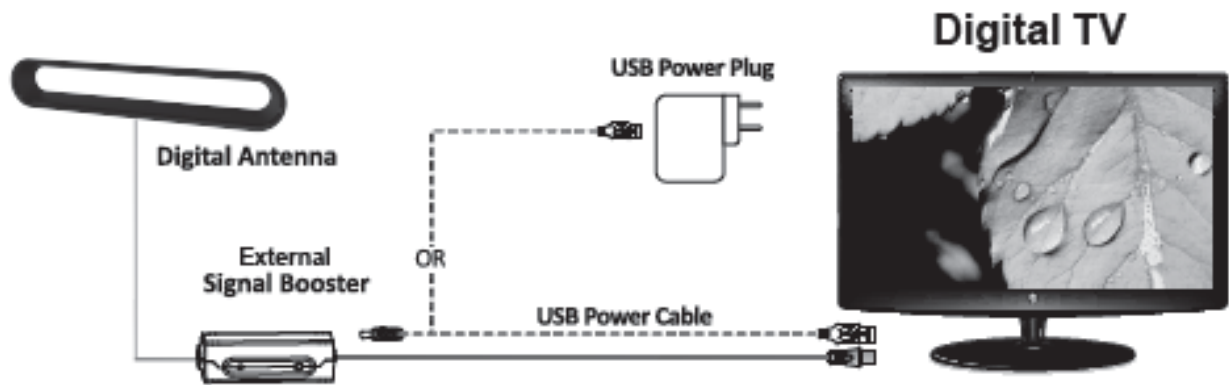
USB adapter



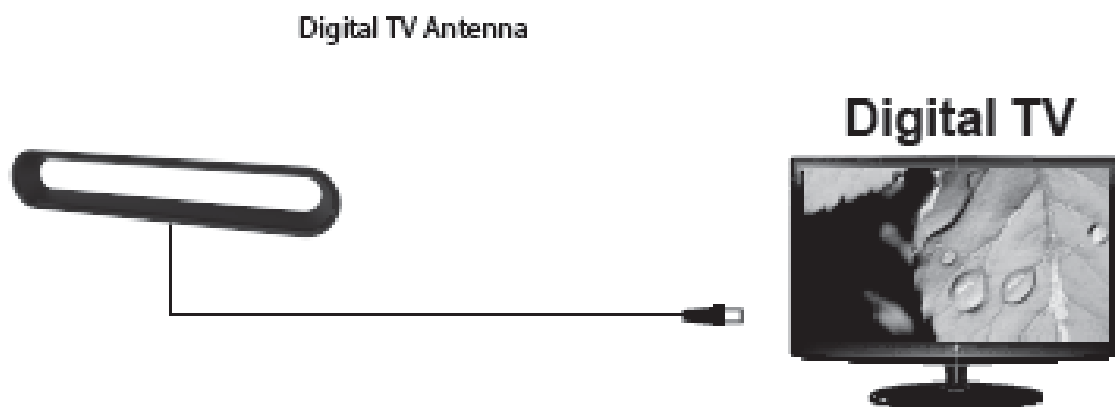
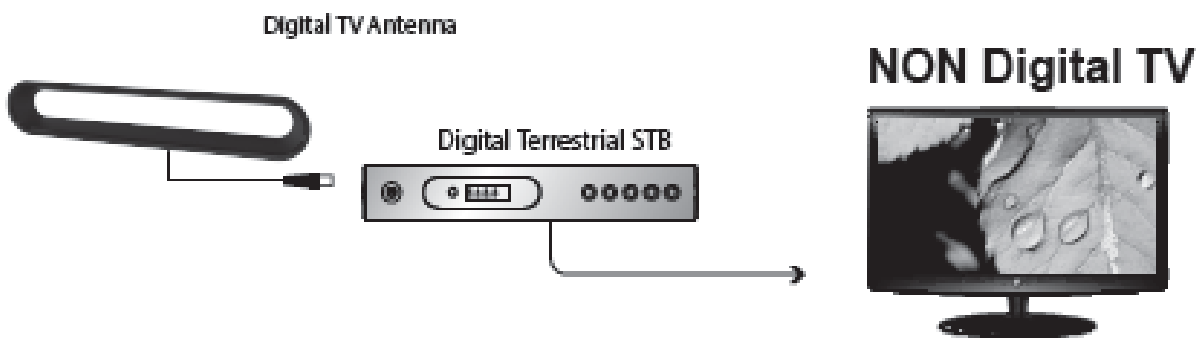
converter

## Installation

### 1. With amplifier (active version)



### 2. Without amplifier (passive version)



## Positioning

Stand on table



## Notification

1. You can use the antenna with or without its amplifier, depending on which connection gives you the best signal. Using the amplifier provides the best performance in most situations, so try using it first. If you notice that you have lost channels that you normally receive, try connecting without amplifier.
2. If it can't receive well, please place the antenna in different position or place it as close as to windows.
3. Stop using in thundering weather.
4. This product is for indoor usage only.



**Disposal:** The symbol of crossed out container on the product, in the literature or on the wrapping means that in the European Union all the electric and electronic products, batteries and accumulators must be placed into the separate salvage after finishing their lifetime. Do not throw these products into the unsorted municipal waste



## DECLARATION OF CONFORMITY

Hereby, the company Abacus Electric, s.r.o. declares that the EVOLVEO Xany 6 is in compliance with the requirements of the standards and regulations, relevant for the given type of device.

Find the complete text of Declaration of Conformity at <http://ftp.evolveo.com/ce/>

Copyright © Abacus Electric, s.r.o.

[www.evolveo.com](http://www.evolveo.com)

[www.facebook.com/EvolveoCZ](https://www.facebook.com/EvolveoCZ)

Dovozce / Výrobce - Dovožca / Výrobca

Importer / Manufacturer - Importőr / Gyártó:

Abacus Electric, s.r.o.

Planá 2, 370 01, Czech Republic

Made in China

All rights reserved.

Design and specification may be changed without prior notice.

Information published	Value and precision	Unit	Notes
Manufacturer's name or trade mark, commercial registration number and address	Guangdong Huasheng Electronic Technology Co., Ltd. 118# Dongyuan Road, Shipai Town, Dongguan City, Guangdong Province, China.	-	-
Model identifier	HS0500550VU	-	-
Input voltage	100-240	V	Specified by the manufacturer. Shall be a value or a range.
Input AC frequency	50/60	Hz	Specified by the manufacturer. Shall be a value or a range.
Output voltage	5	V	Nameplate output voltage. Shall indicate whether is AC or DC.
			In cases where more than one physical output or more than one output voltage at load condition 1 are measured, the sets of available Output voltage — Output current – Output power shall be published.
Output current	0,55	A	Nameplate output current.
			In cases where more than one physical output or more than one output voltage at load condition 1 are measured, the sets of available Output voltage — Output current – Output power shall be published.
Output power	2,75	W	Nameplate output power.
			In cases where more than one physical output or more than one output voltage at load condition 1 are measured, the sets of available Output voltage — Output current – Output power shall be published.
Average active efficiency	$\geq 68.96$	%	Declared by the manufacturer based on the value calculated as arithmetical mean of efficiency at load conditions 1-4.
			In cases where multiple average active efficiencies are declared for multiple output voltages available at load condition 1, the value published shall be the average active efficiency declared for the lowest output voltage.
Efficiency at low load (10 %)	X,X	%	Declared by the manufacturer based on the value calculated at load condition 5.
			External power supplies with a nameplate output power of 10 W or less shall be exempted from this requirement.
			In cases where multiple average active efficiencies are declared for multiple output voltages available at load condition 1, the value published shall be the value declared for the lowest output voltage.
No-load power consumption	$\leq 0.1$	W	Declared by the manufacturer based on the value measured for load condition 6.