

EVOLVE[®]

EN

Xany 5 LTE

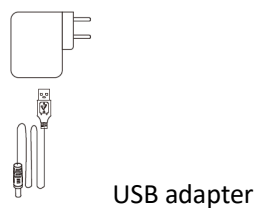
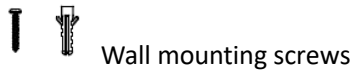
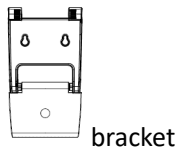
Feature

- Receive full HD, local VHF/ UHF digital signals
- TV/ wall/ table mountable
- Stylish slim profile
- Low noise amplifier
- Detachable amplifier is included to suit different reception needs
- Built-in 5G filter to avoid interference from mobile signals
- Newest EU RED (Radio Equipment Directive) 2014/53/EU compliant.

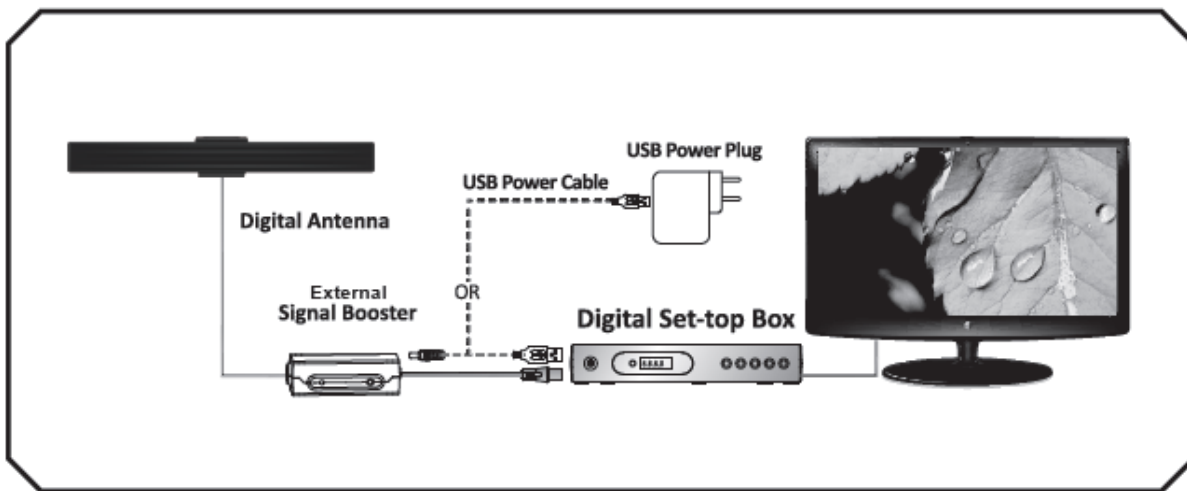
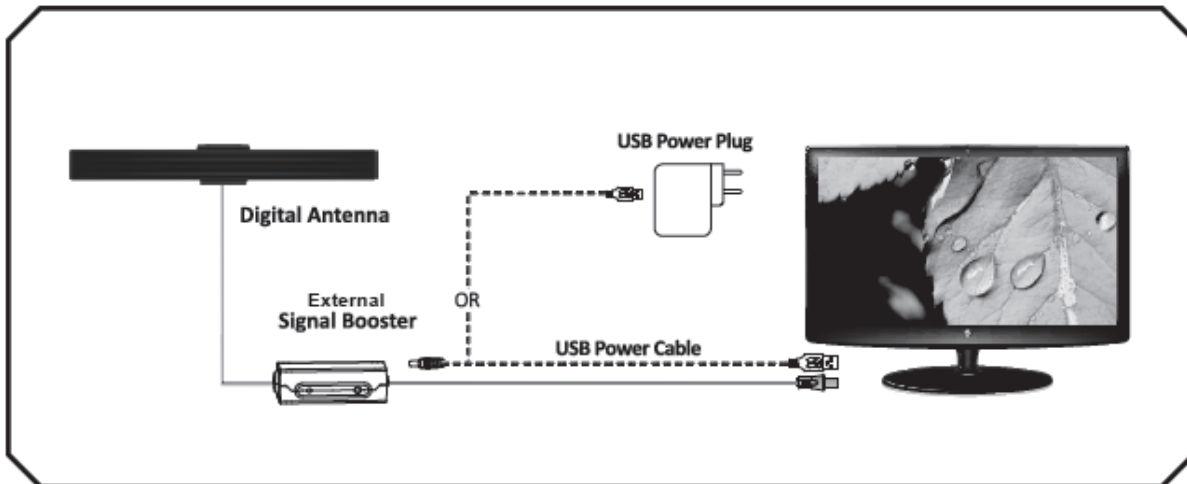
Specification

- Frequency: VHF 174~230MHz, UHF 470~700MHz
- Impedance (Ω): 75
- Connector: IEC type (male)
- Voltage: AC 100-240V DC 5V/ 550mA
- Cable Length: 1.5m + 0.86m




Element list



Installation



Positioning

		
Stand on table	TV mount	Wall mount

Notification

1. You can use the antenna with or without its amplifier, depending on which connection gives you the best signal. Using the amplifier provides the best performance in most situations, so try using it first. If you notice that you have lost channels that you normally receive, try connecting without amplifier.
2. If it can't receive well, please place the antenna in different position or place it as close as to windows.
3. Stop using in thundering weather.
4. This product is for indoor usage only.



Disposal: The symbol of crossed out container on the product, in the literature or on the wrapping means that in the European Union all the electric and electronic products, batteries and accumulators must be placed into the separate salvage after finishing their lifetime. Do not throw these products into the unsorted municipal waste



DECLARATION OF CONFORMITY

Hereby, the company Abacus Electric, s.r.o. declares that the EVOLVEO Xany 5 is in compliance with the requirements of the standards and regulations, relevant for the given type of device.

Find the complete text of Declaration of Conformity at <http://ftp.evolveo.com/ce/>

Copyright © Abacus Electric, s.r.o.

www.evolveo.com

www.facebook.com/EvolveoCZ

Importer / Manufacturer

Abacus Electric, s.r.o.

Planá 2, 370 01, Czech Republic

Made in China

All rights reserved.

Design and specification may be changed without prior notice.