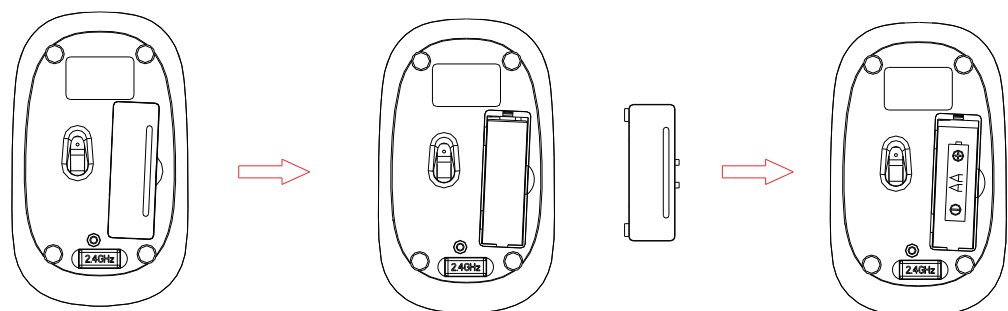


Installing the Batteries

Wireless keyboard are use one AAA alk aline batteries,
Wireless mouse are use one AA alkaline batteries

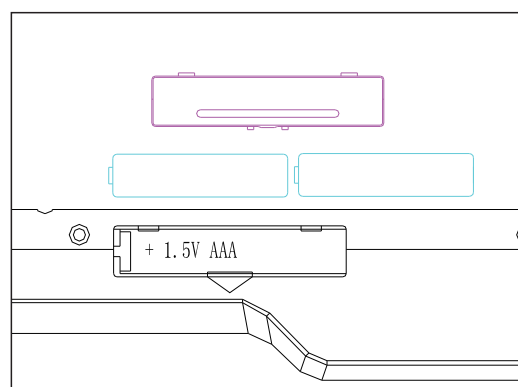
Installing Batteries in the Mouse

- Step 1. Open the battery compartment
- Step 2. Insert the batteries as shown inside the battery compartment.
- Step 3. Replace the cover.



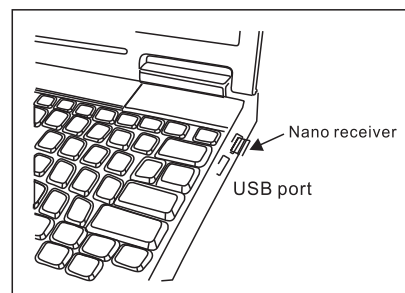
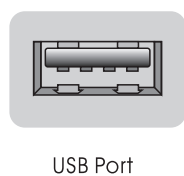
Install the batteries in the keyboard

- Step 1. Remove the battery compartment cover on the bottom of the keyboard by squeezing the cover in from the tab to release it.
- Step 2. Insert the batteries as shown inside the battery compartment.
- Step 3. Replace the cover.



Connecting the Receiver

The receiver is insert to USB port immediate,
or by a extra USB cable.



1. Connect the USB plug to USB port of your computer.

Multimedia Hotkeys functions:

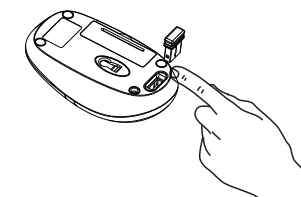
FN+ESC=Media Player	FN+F7=Web home
FN+F1=Play/Pause	FN+F8=Search
FN+F2=Previous Track	FN+F9=Favorite
FN+F3=Next Track	FN+F10=Email
FN+F4=Volume Down	FN+F11=Calculator
FN+F5=Volume Up	FN+F12=My computer
FN+F6=Mute(Windows)	

State of standby and wake up the mouse

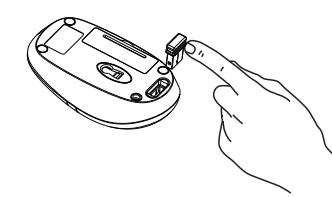
Your RF2.4GHz mouse have economize model, that when your mouse no any click or scroll or moving, the mouse will come to sleep state for the economize after about 8 seconds; for the wake up, you can scroll the wheel or click any button for this . (On this economize state, the optical LED will turn off ,so, the mouse moving will not be respond)

Abtain the receiver on the mouse

- 1:when you want use the mouse ,you can take out the receiver to computer by the list ① step;
- 2:when you need stop the work or to travel, you can store the receiver on the mouse for the moving by the list ② step.



① Take out the receiver



② Store the receiver

Power-Save function:

* This mouse is equipped with Traveling-Power-Save function. When you are traveling with this mouse, the LED of the mouse will be switched off automatically for the purpose of power-save, but the pre-condition is that the receiver is disconnected with your notebook or PC.

* when your mouse no any klik or scroll or moving, the mouse will come to sleep state for the economize after about 8 seconds, for the wake up, you can scroll the wheel or click any button for this

Restoring factory default settings

When you find this set doesn't work, you can make the mouse in working condition by restoring the mouse back to factory default settings.

- 1: Check the battery volume is normal; if the battery is used out, please replace new batteries.
- 2: For mouse, Press the right button and middle button (under the scroll wheel) simultaneously ; then ...
- 3: Insert the nano receiver onto the USB port of PC or notebook.
- 4: For the keyboard , Press the "Esc" and "K" key simultaneously ; then...
- 5: Insert the nano receiver onto the USB port of PC or notebook.



Disposal: The crossed-out container symbol on the product, the enclosed documentation or on packaging means that all the electric and electronic equipment, batteries and battery packs in the European Union must be disposed of as sorted waste at the end of their service life. These products must not be disposed as unsorted municipal waste.



DECLARATION OF COMPLIANCE

Abacus Electric, s.r.o. hereby declares that the EVOLVEO WK-180 complies with the requirements of standards and regulations relevant for this type of device.

For the full wording of the Declaration of Conformity see <http://ftp.evolveo.com/ce/>

Dovozce / Dovožca / Importer / Importőr
Abacus Electric, s.r.o.
Planá 2, 370 01, The Czech Republic

Výrobce / Výrobca / Manufacturer / Gyártó
Naxya Limited
No. 5, 17/F, Strand 50, 50 Bonham Strand, Sheung Wan, Hong Kong
Made in China

Copyright © Abacus Electric, s.r.o.
www.evolveo.com
www.facebook.com/EvolveoCZ

All rights reserved.
Product appearance and technical specifications are subject to changes without prior notice.

MANUAL EVOLVEO

MODEL VERSION / DATE

WK-180 II. / 16. 01. 2022

